



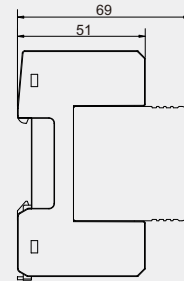
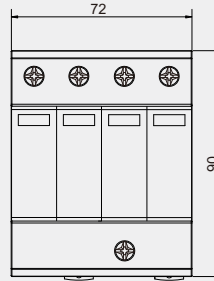
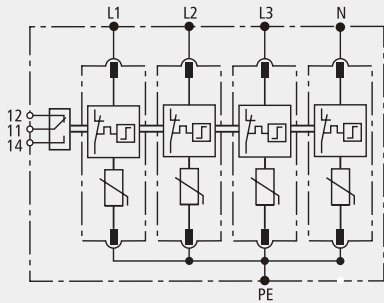
北京防雷测试中心办事处 ISO9001



泰科天唯®
TYCOTIU

TY-40 4P

Type 2 Surge Arrester



	TY 150 40 4	TY 275 40 4	TY 320 40 4	TY 385 40 4	TY 440 40 4	
SPD classification according to EN61643-11	Type 2	Type 2	Type 2	Type 2	Type 2	
SPD classification according to IEC61643-11	Class II	Class II	Class II	Class II	Class II	
Max. continuous operating a.c. voltage	Uc	150V	275V	320V	385V	440V
Nominal discharge current (8/20 μs)	In	20kA	20kA	20kA	20kA	20kA
Max. discharge current (8/20 μs)	I _{max}	40kA	40kA	40kA	40kA	40kA
Voltage protection level	Up	≤0.8kV	≤1.3kV	≤1.5kV	≤1.8kV	≤2.0kV
Voltage protection level 5kA	Up	≤0.6kV	≤1kV	≤1.2kV	≤1.4kV	≤1.6kV
Max. backup fuse		125AgG	125AgG	125AgG	125AgG	125AgG
Response time	t _a	≤25ns	≤25ns	≤25ns	≤25ns	≤25ns
Operating temperature range	T _u	-40°C-80°C	-40°C-80°C	-40°C-80°C	-40°C-80°C	-40°C-80°C
Operating state/fault indication		green/red	green/red	green/red	green/red	green/red
Cross-section area (Min.)		4mm ²	4mm ²	4mm ²	4mm ²	4mm ²
Cross-section area (Max.)		35mm ²	35mm ²	35mm ²	35mm ²	35mm ²
For mounting on		35mm Din rail				
Enclosure material		Thermal plastic UL94-V0				
Degree of protection		IP20	IP20	IP20	IP20	IP20